

# DC



# Power Stilts<sup>LLC</sup>

[Instruction](#) > [Sales](#) > [Service](#) > [Community](#)

[www.DCPowerStilts.com](http://www.DCPowerStilts.com)

# Parts Catalog

## 10% Parts Discount

Customers enjoy a 10% percent parts discount for an entire year after ordering a pair of Poweriser stilts.

## Binding Upgrade Kits

Bindings are the biggest difference between the Classic and the Advanced product. Easily Jump up to the best, most comfortable and supportive hardware with these upgrade kits.



### Top Cuffs

Improved comfort, adjustability, and design for fast entry/exit.  
\$130 (set of 2) *Item: PW-A1*



### Binding Set

Solid, all-metal binding with metal ratcheting and quick release hardware. Widened larger strap for comfort.

\$70 (2 sets of 2) *Item: PW-A2*

# Replacement Hardware and Service

Are your power stilts busted up? Want your spring replaced? Wear and tear is normal for this kind of product, so you may want to replace worn parts to keep your stilts in tip-top shape!

In order to ensure that everyone is bocking at peak efficiency, we stock spare parts and will provide free service/technical assistance to customers.

If you are a stilt customer and order spare parts through us, we'll provide maintenance and replacement service free of charge (by request).

## Binding Parts

Falls may lead to normal wear and tear on your binding hardware. Replacement parts area available below.



### Large Binding Band

For ankle (back binding) support.  
\$8 (set of 2) *Item: PW-15*



### Large Binding Strap

For ankle binding adjustable buckle.  
\$5 (set of 2) *Item: PW-18*



### Classic Buckles

For connecting bands to straps.  
\$10 (set of 2)  
*Item: PW-13 Right Side*  
*PW-14 Left Side*



### Short Binding Band

For front and toe support.  
\$4 each *Item: PW-16 Right Side*  
*PW-17 Left Side*



### Short Binding Strap

For front and toe buckles.  
\$5 (set of 2) *Item: PW-18*



### Foot Plate

High strength black plastic.  
\$8 each  
*PW-11 Right Side*  
*PW-12 Left Side*

## Connection Joints

Plastic Pipe  
\$3 (set of 2)  
*Item: PW-23*



Brass Bushing  
\$6 (set of 4)  
*Item: PW-27*



Plastic Bushing  
\$4 (set of 8)  
*Item: PW-24*



Band Cock  
\$3 (set of 8)  
*Item: PW-20*



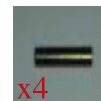
Brass Washer  
\$4 (set of 4)  
*Item: PW-28*

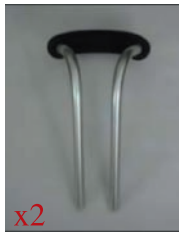
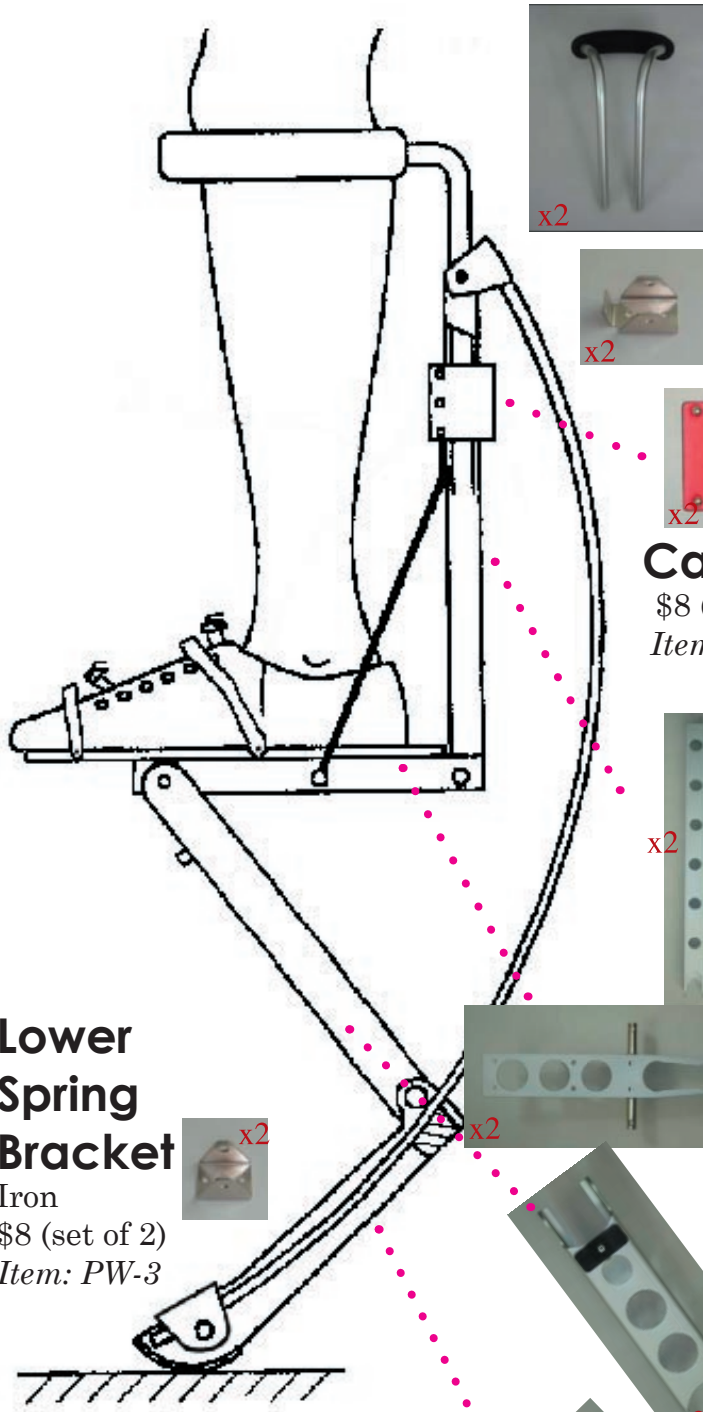


Long Steel Bushing  
\$6 (set of 4)  
*Item: PW-25*



Short Steel Bushing  
\$5 (set of 4)  
*Item: PW-26*





x2

## Top Loop

Step into the loop for a secure hold below the knee. If replacing this item, consider upgrading to the top cuff.

\$38 (set of 2) *Item: PW-4*



x2

## Iron Upper Spring Bracket

\$8 (set of 2) *Item: PW-2*



x2

## Calf Pad

\$8 (set of 2)  
*Item: PW-22*



x2

## Pad Holder

\$5 (set of 2)  
*Item: PW-21*



x4

## Bracket

Aluminum  
\$15 (set of 4)  
*Item: PW-6*

## Top Rod

Aluminum  
\$23 (set of 2)  
*Item: PW-5*

x2



x4

## Long Bolt

\$12 (set of 4)  
*Item: PW-7*

## Footplate



x2

## Rod

Aluminum  
\$25 (set of 2)  
*Item: PW-8*

## Lower Spring Bracket



x2

Iron  
\$8 (set of 2)  
*Item: PW-3*

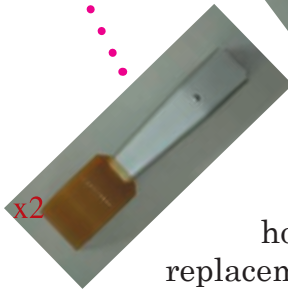
## Lower Rod

Aluminum  
\$25 (set of 2)  
*Item: PW-9*

x2

## Hoof Rod & Hoof

Aluminum rod with attached rubber hoof. Requires periodic replacement with normal use.  
\$38 (set of 2) *Item: PW-10*



x2

## Leaf Spring

fibreglass with rubber guard. springs will soften initially and wear with regular use.  
\$120 (set of 2)  
*Item: PW-1*



x2

Specify Weight  
5070 (110-154 lbs)  
7090 (154-198 lbs)  
90120 (198-265 lbs)

## DC Power Stilts

[Instruction](#) > [Sales](#) > [Service](#) > [Community](#)

[www.DCPowerStilts.com](http://www.DCPowerStilts.com)